

New Dimensions  
in Motion

**HITACHI**  
**EX300**

Deluxe

## Precedent-Setting Performance in an Excellent Excavator!

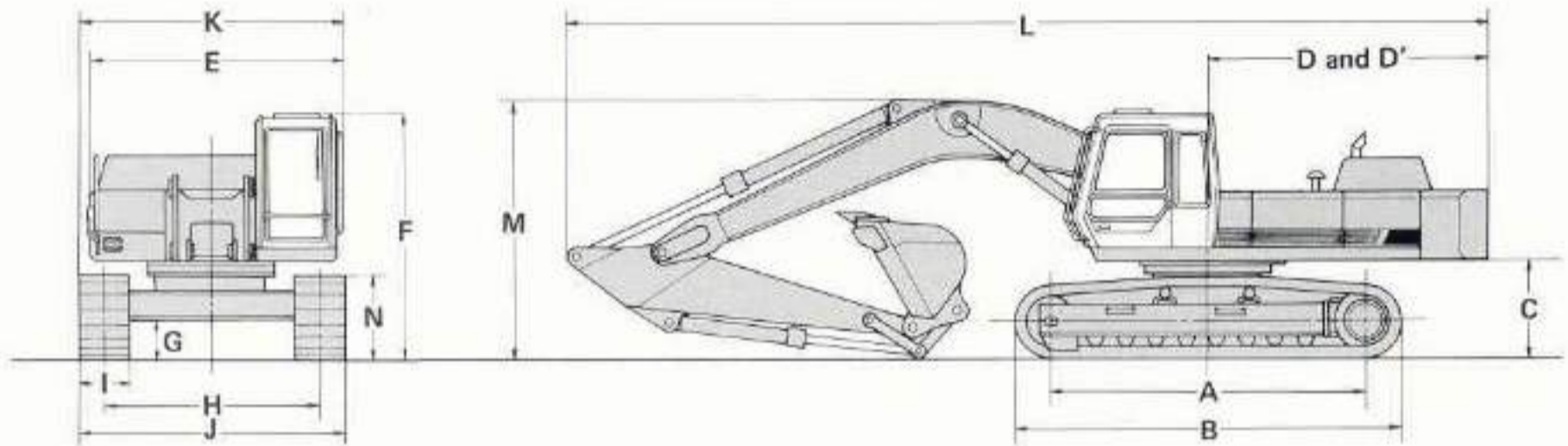
- OHS assures fully independent and combined operations.
- FPS system reduces fuel consumption.
- High pressure travel system for high traction force and travel speed.
- Monitoring/alarm system indicates the status of key machine functions.
- Hitachi original pilot control means smooth and precise control.
- New cab design for total operator comfort.
- ORS (O-Ring Seal) and TIG (Tungsten Inert Gas) welding ensure hydraulic line reliability.
- Reinforced D-section frame protects superstructure covers.
- The Heavy-duty model EX300H and EX300LCH are also available.



- Rated engine HP: 154 kW (210 PS)
- Operating weight: EX300: 28 500 kg (62 800 lb)  
EX300LC: 30 000 kg (66 100 lb)  
EX300H: 29 100 kg (64 200 lb)  
EX300LCH: 29 800 kg (65 700 lb)
- Backhoe bucket: PCSA heaped: 1.15—1.86 m<sup>3</sup>  
(1.50—2.43 cu yd)  
CECE heaped: 1.00—1.60 m<sup>3</sup>



# DIMENSIONS



A	Distance between tumblers	3 710 mm (12'2")	LC	4 010 mm (13'2")
B	Undercarriage length	4 570 mm (15'0")	LC	4 870 mm (16'0")
*C	Counterweight clearance	1 150 mm (3'9")		
D	Rear-end swing radius	3 300 mm (10'10")		
D'	Rear-end length	3 280 mm (10'9")		
E	Overall width of superstructure	2 950 mm (9'8")		
F	Overall height of cab	2 990 mm (9'10")		
*G	Min. ground clearance	480 mm (1'7")		
H	Track gauge	2 590 mm (8'6")		
I	Track shoe width	600 mm (24")	800 mm (31")	910 mm (36")
J	Undercarriage width	3 190 mm (10'6")	3 390 mm (11'1")	3 500 mm (11'6")
K	Overall width	3 190 mm (10'6")	3 390 mm (11'1")	3 500 mm (11'6")
L	Overall length	11 200 mm (36'9") with 2.10 m (6'11") arm 11 030 mm (36'2") with 2.66 m (8'9") arm 10 920 mm (35'10") with 3.20 m (10'6") arm 10 990 mm (36'1") with 4.00 m (13'1") arm		
M	Overall height of boom	3 540 mm (11'7") with 2.10 m (6'11") arm 3 400 mm (11'2") with 2.66 m (8'9") arm 3 200 mm (10'6") with 3.20 m (10'6") arm 3 490 mm (11'5") with 4.00 m (13'1") arm		
N	Track height	1 000 mm (3'3"): 600 mm (24") triple grouser shoe 1 010 mm (3'4"): 800 mm (31") triple grouser shoe 1 170 mm (3'10"): 910 mm (36") triangular shoe		

\*Track shoe lug height not included

LC: Long Crawler Undercarriage